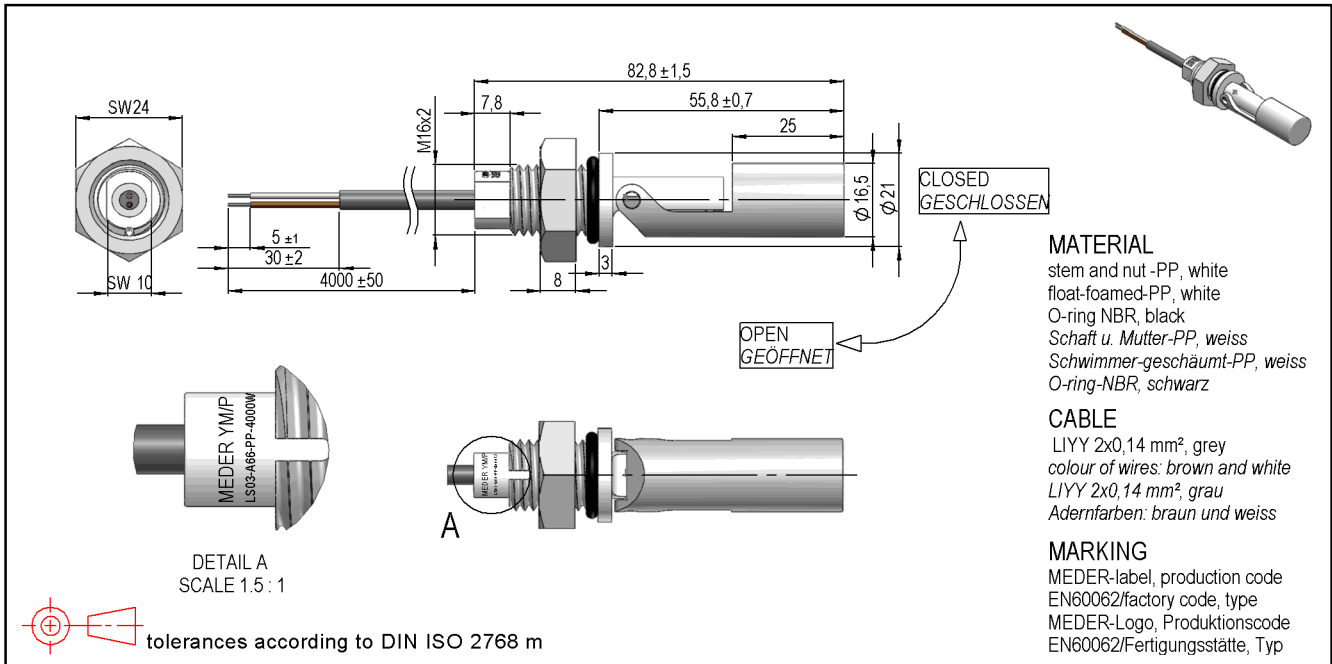


Products for tomorrow...



MATERIAL
 stem and nut -PP, white
 float-foamed-PP, white
 O-ring NBR, black
 Schaft u. Mutter-PP, weiss
 Schwimmer-geschäumt-PP, weiss
 O-ring-NBR, schwarz

CABLE
 LIYY 2x0,14 mm², grey
 colour of wires: brown and white
 LIYY 2x0,14 mm², grau
 Adernfarben: braun und weiss

MARKING
 MEDER-label, production code
 EN60062/factory code, type
 MEDER-Logo, Produktionscode
 EN60062/Fertigungsstätte, Typ

| Special Product Data | Conditions | Min | Typ | Max | Unit |
|----------------------|---|-------------|-----|------|------|
| Contact rating | Any DC combination of V & A not to exceed their individual max.'s | | | 10 | W |
| operating voltage | DC or Peak AC | | | 180 | VDC |
| operating ampere | DC or Peak AC | | | 1,25 | A |
| Switching current | DC or Peak AC | | | 0,5 | A |
| Sensor-resistance | measured with 40% overdrive Sensor deactivated | | | 1,3 | Ohm |
| Housing material | | PP | | | |
| Case color | | white | | | |
| Sealing compound | | Polyurethan | | | |

| Environmental data | Conditions | Min | Typ | Max | Unit |
|-----------------------|-----------------|------------------------|-----|-----|------|
| Operating temperature | cable not moved | -30 | | 80 | °C |
| Operating temperature | cable moved | -5 | | 80 | °C |
| Storage temperature | | -30 | | 80 | °C |
| safety class | DIN EN 60529 | IP68, until the thread | | | |

| Cable specification | Conditions | Min | Typ | Max | Unit |
|---------------------|------------|----------------------|-----|-----|------|
| Cable typ | | round cable | | | |
| Cable material | | PVC | | | |
| Cross section | | 0,14 mm ² | | | |

| General data | Conditions | Min | Typ | Max | Unit |
|-------------------|------------|--|-----|-----|------|
| Mounting advice | | over 5m cable, a series resistor is recommended. | | | |
| Tightening torque | | | | 3 | Nm |