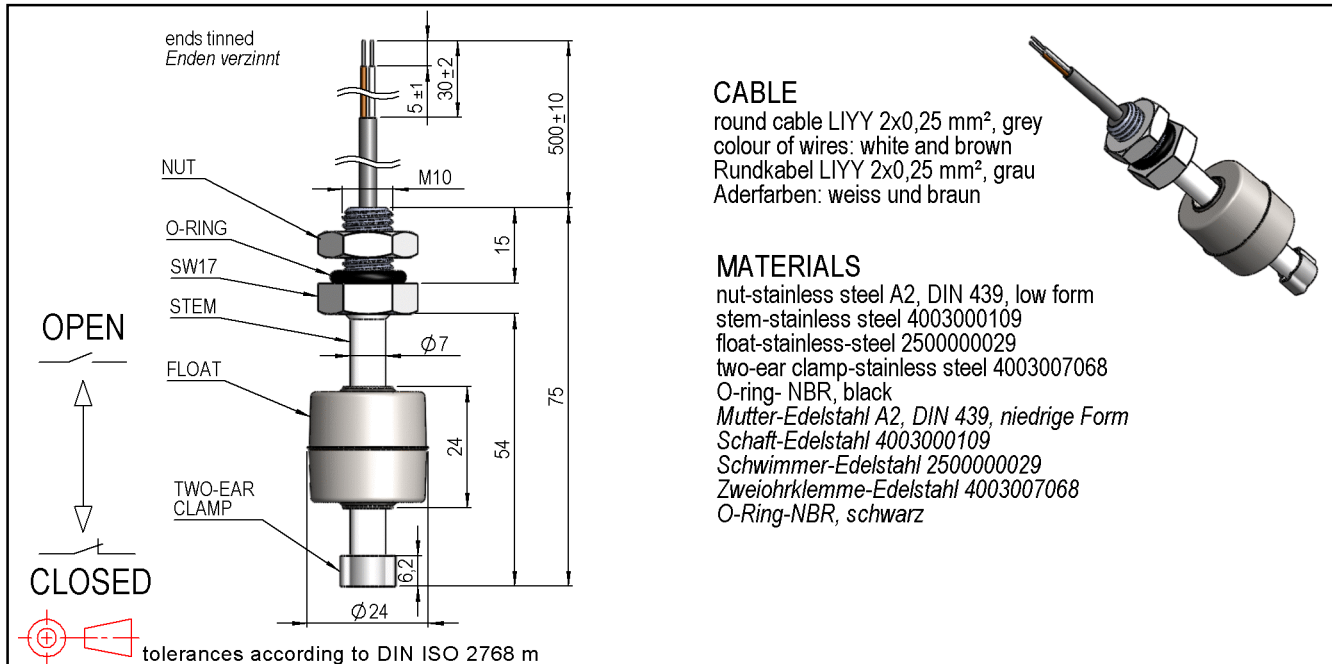


Preliminary Datasheet



Special Product Data	Conditions	Min	Typ	Max	Unit
Contact rating	Any DC combination of V & A not to exceed their individual max.'s			100	W
Switching voltage	DC or Peak AC			250	V
Carry current	DC or Peak AC			2,5	A
Switching current	DC or Peak AC			1	A
Sensor-resistance	measured with 40% overdrive			280	mOhm
Breakdown voltage		1			kV DC
Insulation Voltage	Case/Contact			1	kV DC
Material of float					stainless steel
Housing material LS					stainless steel
Sealing compound					Polyurethan

Environmental data	Conditions	Min	Typ	Max	Unit
Operating temperature	cable not moved	-30		80	°C
Operating temperature	cable moved	-5		80	°C
Storage temperature		-30		80	°C
Safety class	DIN EN 60529			IP68	

Cable specification	Conditions	Min	Typ	Max	Unit
Cable type					round cable
Cable material					PVC
Cross section					0,25 sq-mm

General data	Conditions	Min	Typ	Max	Unit
Mounting advice					over 5m cable, a resistor is recommended.
Tightening torque				0,5	Nm